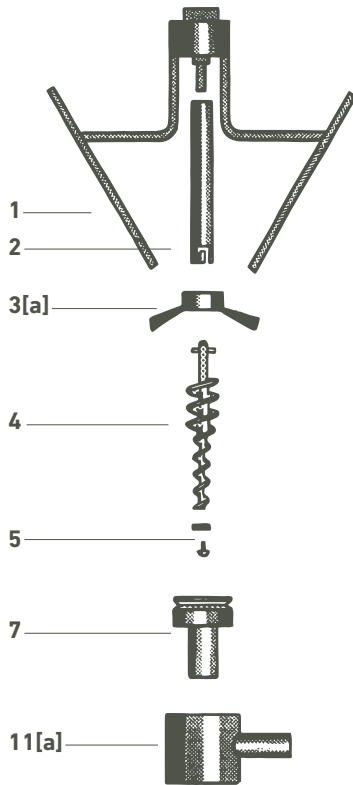


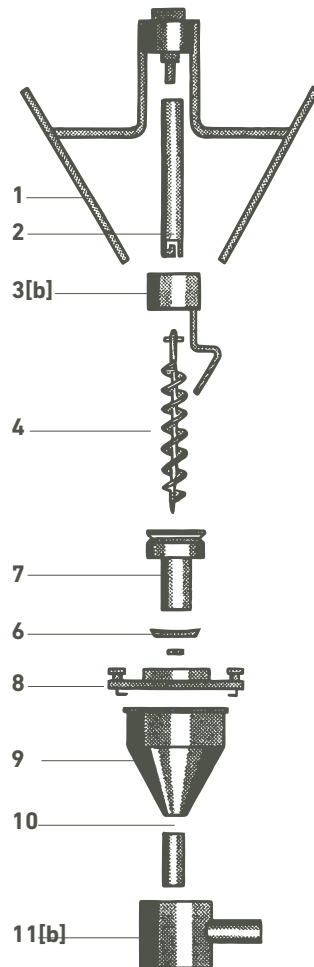
AUGER FILLING MACHINE PART IDENTIFICATION

Use the following to locate and identify parts and tooling configurations used with auger filling machines. Free flow tooling is used with free-flowing powders such as granulated sugar, salt, bread crumbs, etc. Non free flowing tooling is used for products such as bakery mixes, carbon, talcum powders, etc.

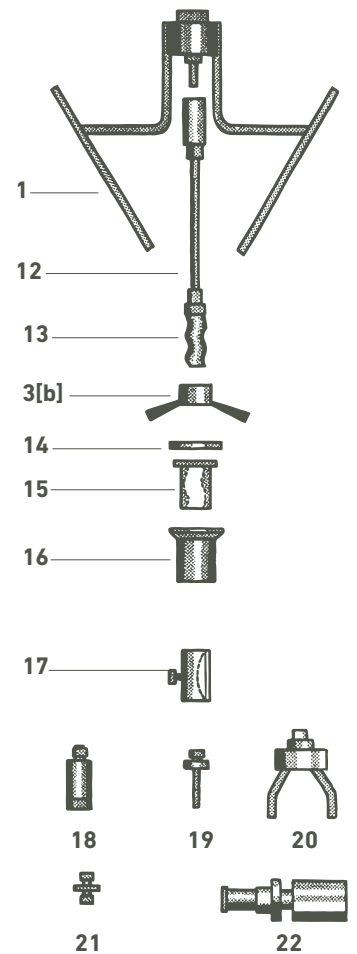
NON FREE-FLOWING PRODUCTS



FREE-FLOWING PRODUCTS



LIQUIDS/CREAMS/PASTES



1. Slow speed agitator blade(s)
2. Auger Shaft
3. High speed agitation blades
 - a.) 'D' Blade
 - b.) A3 Blade
4. Auger
5. Drip washer with left hand threaded screw
6. Spinner plate with left hand

7. Funnel
8. Collector Funnel
 - a.) Clamp
 - b.) Cover
9. Collector Funnel
10. Nozzle
11. Dust Shroud
 - a.) Removable Dust Shroud

- b.) Dust Shroud
12. Pump Rotor shaft
13. Rotor
14. Spacer
15. Stator
16. Pump housing
17. Diaphragm cut-off
18. Ball check valve
19. Nozzle

20. Manifold
21. Adapter
22. Piston suck-back

4102 Edges Mill Road, Downingtown, PA 19335 USA
 Phone (610) 524-3350 Fax (610) 363-2821
 Toll Free: 800-334-1529 info@augerfab.com
WWW.AUGERFAB.COM

