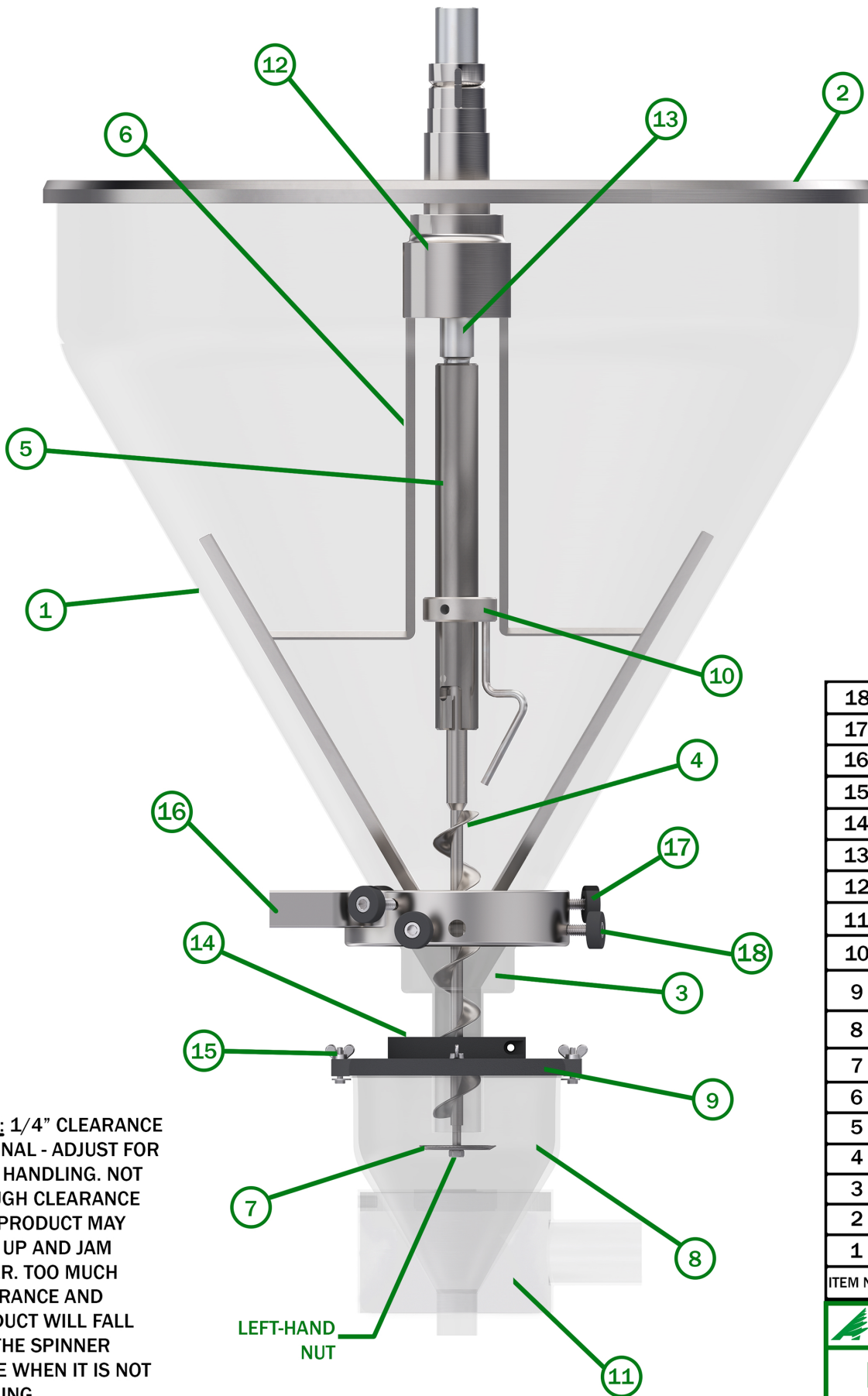


NOTE: DRAWING SHOWS MAXIMUM TOOLING COMBINATION



NOTE: 1/4" CLEARANCE NOMINAL - ADJUST FOR BEST HANDLING. NOT ENOUGH CLEARANCE AND PRODUCT MAY HEAT UP AND JAM AUGER. TOO MUCH CLEARANCE AND PRODUCT WILL FALL OFF THE SPINNER PLATE WHEN IT IS NOT TURNING

LEFT-HAND NUT

| | |
|----------|-------------------------|
| 18 | LOWER KNOB |
| 17 | UPPER KNOB |
| 16 | COUPLING |
| 15 | SCREWS & WING NUTS |
| 14 | CLAMP RING |
| 13 | DRIVE SHAFT |
| 12 | SPINDLE |
| 11 | DUST SHROUD |
| 10 | A3 HIGH SPEED AGITATION |
| 9 | COLLECTOR FUNNEL COVER |
| 8 | COLLECTOR FUNNEL |
| 7 | SPINNER PLATE |
| 6 | SLOW SPEED AGITATION |
| 5 | AUGER SHAFT |
| 4 | STRAIGHT AUGER |
| 3 | STRAIGHT FUNNEL |
| 2 | HOPPER COVER |
| 1 | 22" HOPPER |
| ITEM NO. | DESCRIPTION |

AUGER FABRICATION, INC.
DOWNTOWN, PA 19335

**FREEFLOW
TOOLING**