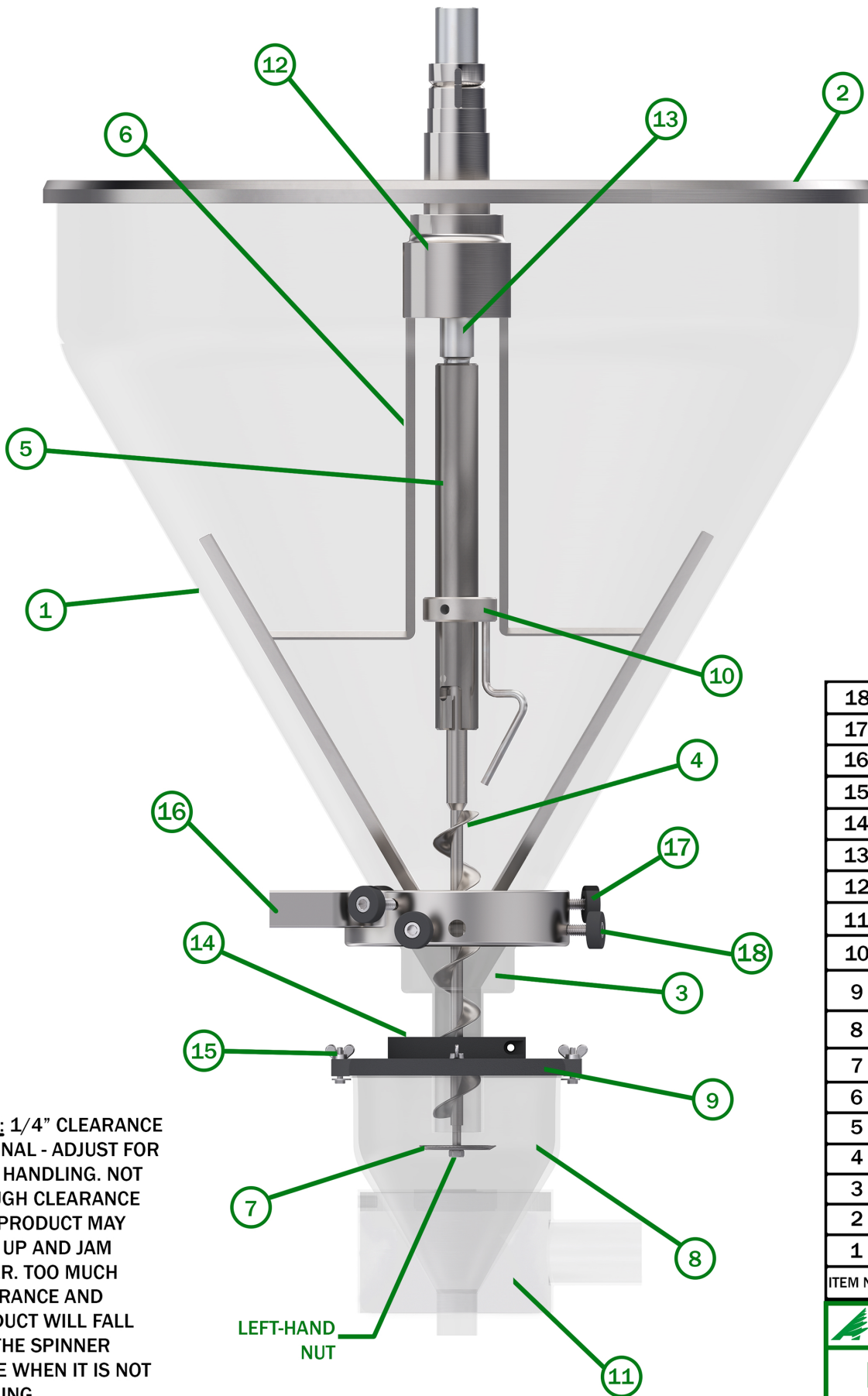


NOTE: DRAWING SHOWS MAXIMUM TOOLING COMBINATION



NOTE: 1/4" CLEARANCE NOMINAL - ADJUST FOR BEST HANDLING. NOT ENOUGH CLEARANCE AND PRODUCT MAY HEAT UP AND JAM AUGER. TOO MUCH CLEARANCE AND PRODUCT WILL FALL OFF THE SPINNER PLATE WHEN IT IS NOT TURNING

LEFT-HAND NUT

18	LOWER KNOB
17	UPPER KNOB
16	COUPLING
15	SCREWS & WING NUTS
14	CLAMP RING
13	DRIVE SHAFT
12	SPINDLE
11	DUST SHROUD
10	A3 HIGH SPEED AGITATION
9	COLLECTOR FUNNEL COVER
8	COLLECTOR FUNNEL
7	SPINNER PLATE
6	SLOW SPEED AGITATION
5	AUGER SHAFT
4	STRAIGHT AUGER
3	STRAIGHT FUNNEL
2	HOPPER COVER
1	22" HOPPER
ITEM NO.	DESCRIPTION

AUGER FABRICATION, INC.
DOWNTOWN, PA 19335

**FREEFLOW
TOOLING**

NOTE: DRAWING SHOWS MAXIMUM TOOLING COMBINATION

