

ALL-FILL, AMS, MATEER-BURT, & SPEE-DEE FUNNELS

Straight funnels are generally used with free flowing products, straight augers, and often include use of a Collector Funnel (see Form 658). Lip funnels are used with non-freeflowing products and self-feeding augers. Use this page to specify and order new, spare, and replacement Straight and Lip Funnels for augers and filling machines from ALL-FILL, Mateer-Burt, AMS, & Spee-Dee. Refer to Form 654 for Funnels used with Mateer-Burt NEOTRON auger fillers.

DIMENSIONS & SPECIFICATIONS

SIZE:

- 3 1/2" Hub (Augers 4-32)
- 4" Hub (Augers 34-52)

GROUP:

- Group 1: Straight
- Group 2: Lip
- Group 3: Threaded

A: _____

B: _____

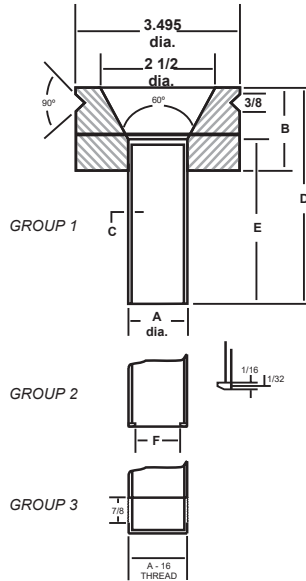
C: _____

D: _____

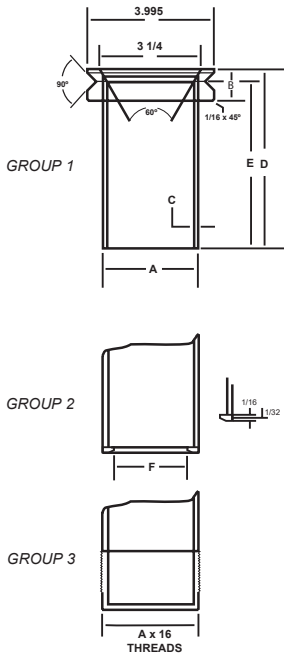
E: _____

F: _____

3 1/2" Hub (Augers #4-#32)



4" Hub (Augers #34 - #52)



4102 Edges Mill Road, Downingtown, PA 19335 USA
 Phone (610) 524-3350 Fax (610) 363-2821
 Toll Free: 800-334-1529 info@augerfab.com
WWW.AUGERFAB.COM

