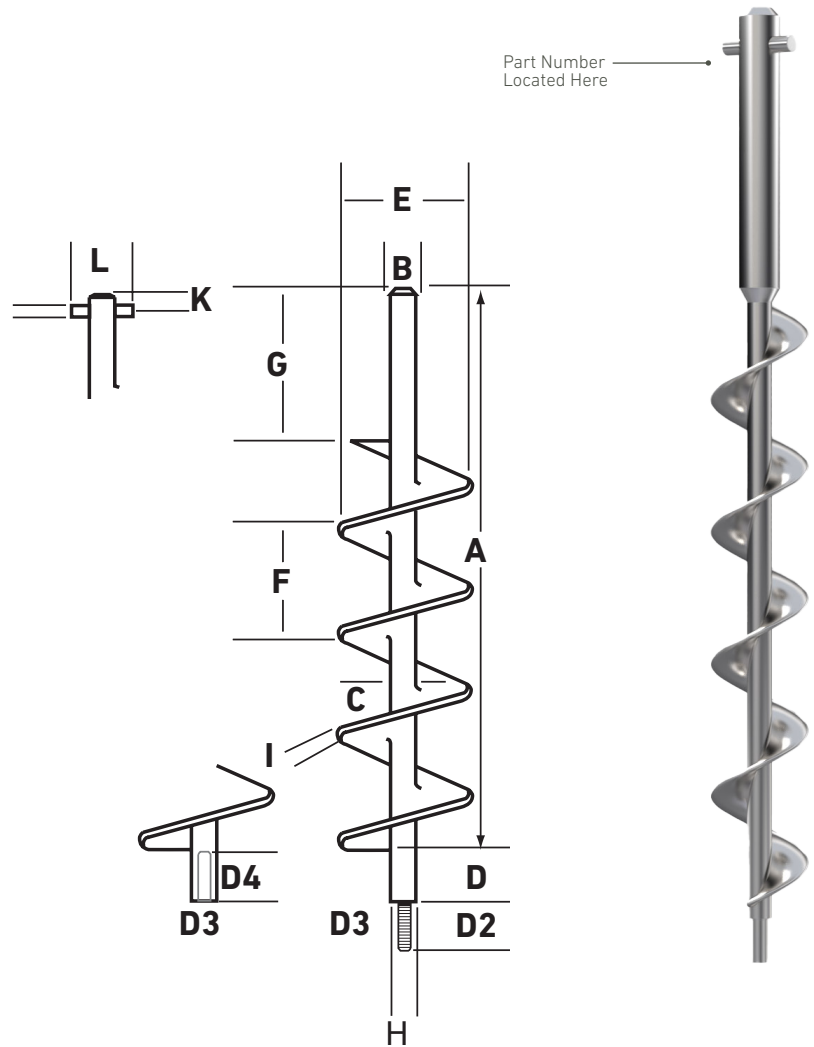


ALL-FILL®, AMS, MATEER-BURT, & SPEE-DEE STRAIGHT AUGERS

Straight Augers are typically used for free-flowing powders such as granulated sugar, salt, bread crumbs, etc. They are commonly used with high and slow speed agitator blades, a straight funnel, collector funnels, spinner plates, etc. Use this page to specify new and replacement Straight Augers used with All-Fill, Inc.®, AMS, Mateer-Burt, and Spee-Dee auger filling machines. Mateer-Burt Neutron augers are specified in Form 653-1.

DIMENSIONS

- A: Length: _____
- B: Stem Diameter: _____
- C: Rod Diameter: _____
- D: Rod Length: _____
- D2: Thread Length: _____
- D3: Type Thread: _____
- D4: Depth of Thread: _____
- E: Diameter: _____
- F: Pitch: _____
- G: Stem Length: _____
- H: Rod Diameter: _____
- I: Flight Thickness: _____
- J: Pin Diameter: _____
- K: Pin Location: _____
- L: Pin Length: _____
- M: Flight Relief: _____ Yes _____ No _____



MATERIAL OF CONSTRUCTION:

WELD: Tack Continuous 1 Side Both Sides

FINISH: Rough Grind Nylon Smooth High Polish

STEM: Bayonet(shown) Other

4102 Edges Mill Road, Downingtown, PA 19335 USA
 Phone (610) 524-3350 Fax (610) 363-2821
 Toll Free: 800-334-1529 info@auger-fab.com
WWW.AUGER-FAB.COM

