

# COLLECTOR FUNNELS

Free flowing products and tooling generally require a separate Collector Funnel assembly. This assembly consists of a collector funnel, collector funnel cover, and clamp ring. AUGER FABRICATION can supply complete assemblies, as well as individual items, for collector funnels used on all manufacturers of filling machines.

## SPECIFYING INFORMATION:

### HOPPER:

- A. Standard
- B. Cone
- C. Bartelt

MANUFACTURER: \_\_\_\_\_

FILLED AMOUNT/WEIGHT: \_\_\_\_\_

PACKAGE SIZE: \_\_\_\_\_

OPENING REQUIRED: \_\_\_\_\_

COLLECTOR FUNNEL LENGTH: \_\_\_\_\_

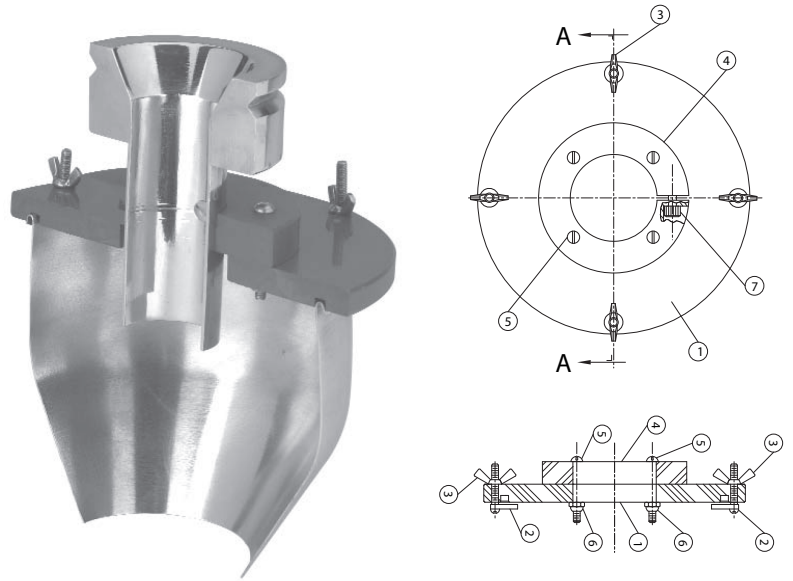
LINE HEIGHT: \_\_\_\_\_

CLAMP RING (FUNNEL NUMBER): \_\_\_\_\_

COLLECTOR FUNNEL COVER (FUNNEL NUMBER): \_\_\_\_\_

DUSTY PRODUCT?

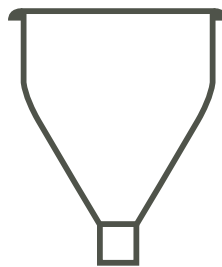
SHROUDS: \_\_\_\_\_



### CHOOSE YOUR COLLECTOR FUNNEL STYLE AND SIZE

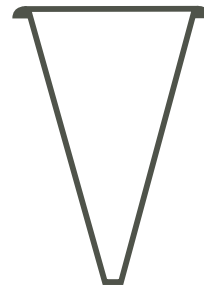
Funnels come in 3 styles and in sizes of 3", 6", 8" and 10" diameters

STYLE A



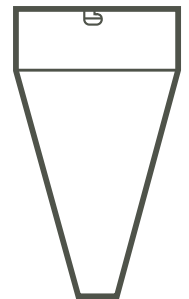
- 3" Diameter
- 6" Diameter
- 8" Diameter
- 10" Diameter

STYLE B



- 3" Diameter
- 6" Diameter
- 8" Diameter
- 10" Diameter

STYLE C



- 3.5" Diameter
- 4.5" Diameter
- 6" Diameter
- 8" Diameter

4102 Edges Mill Road, Downingtown, PA 19335 USA  
 Phone (610) 524-3350 Fax (610) 363-2821  
 Toll Free: 800-334-1529 info@augerfab.com  
[WWW.AUGERFAB.COM](http://WWW.AUGERFAB.COM)

