

MATEER-BURT "NEOTRON" STRAIGHT & LIP FUNNELS

These funnels are matched replacements for Mateer-Burt Neotron System manufactured by Mateer-Burt. Dimensions and specifications of the most common sizes are listed on the above chart. If dimensions do not match your auger, list all relevant size data (A-G) on the worksheets at the end of this catalog.

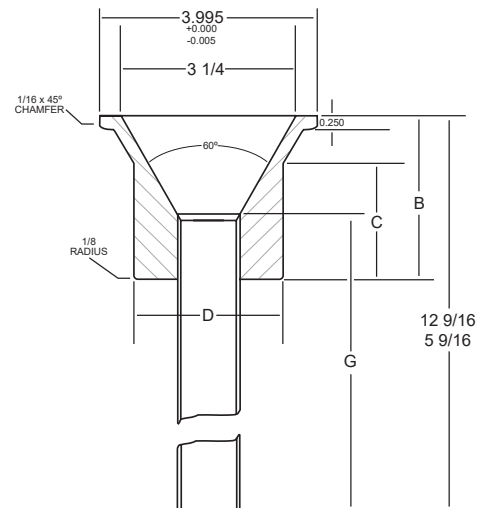
STANDARD SIZES & DIMENSIONS:

Funnel Size	A	B	C	D	E	F	G	Print #
5 9/16" Length Funnels								
6	1/2	3	1 1/16	1 1/2	0.065	1/4	3 3/16	126191/2*
8	5/8	3	1 1/16	1 1/2	0.065	3/8	3 3/16	126195/6*
10	3/4	3	1 1/16	1 1/2	0.065	1/2	3 7/16	126199/200*
12	7/8	3	1 1/16	1 1/2	0.065	5/8	3 9/16	126203/4*
14	1	3	1 1/16	1 1/2	0.065	3/4	3 11/16	126207/8*
16	1 1/8	3	1 1/16	1 1/2	0.065	7/8	3 3/4	126211/2*
18	1 1/4	2	1 1/8	2 3/4	0.065	1	3 7/8	126215/6*
20	1 3/8	2	1 1/8	2 3/4	0.065	1 1/8	4	126219/20*
22	1 1/2	2	1 1/8	2 3/4	0.065	1 1/4	4 1/16	126223/4*
24	1 5/8	2	1 1/8	2 3/4	0.065	1 3/8	4 3/16	126227/8*
26	1 3/4	2	1 1/8	2 3/4	0.065	1 1/2	4 5/16	126231/2*
28	2	2	1 1/8	2 3/4	0.120	1 5/8	4 1/2	126235/6*
30	2 1/8	2	1 1/8	2 3/4	0.120	1 3/4	4 5/8	126239/40*
32	2 1/4	2	1 1/8	2 3/4	0.120	1 7/8	4 3/4	126243/4*

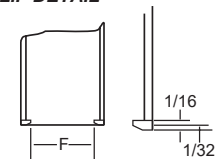
12 9/16 Length Funnels								
6	1/2	3	1 1/16	1 1/2	0.065	1/4	10 3/16	126193/4*
8	5/8	3	1 1/16	1 1/2	0.065	3/8	10 3/16	126197/8*
10	3/4	3	1 1/16	1 1/2	0.065	1/2	10 7/16	126101/2*
12	7/8	3	1 1/16	1 1/2	0.065	5/8	10 9/16	126205/6*
14	1	3	1 1/16	1 1/2	0.065	3/4	10 11/16	126209/10*
16	1 1/8	3	1 1/16	1 1/2	0.065	7/8	10 3/4	126213/4*
18	1 1/4	2	1 1/8	2 3/4	0.065	1	10 7/8	126217/8*
20	1 3/8	2	1 1/8	2 3/4	0.065	1 1/8	11	126221/2*
22	1 1/2	2	1 1/8	2 3/4	0.065	1 1/4	11 1/16	126225/6*
24	1 5/8	2	1 1/8	2 3/4	0.065	1 3/8	11 3/16	126229/30*
26	1 3/4	2	1 1/8	2 3/4	0.065	1 1/2	11 5/16	126233/4*
28	2	2	1 1/8	2 3/4	0.120	1 5/8	11 1/2	126237/8*
30	2 1/8	2	1 1/8	2 3/4	0.120	1 3/4	11 5/8	126241/2*
32	2 1/4	2	1 1/8	2 3/4	0.120	1 7/8	11 3/4	126245/6*

* Specifies number for Straight (Group 1) NEOTRON funnels
NEOTRON SYSTEM is a trademark of Mateer-Burt

4102 Edges Mill Road, Downingtown, PA 19335 USA
Phone (610) 524-3350 Fax (610) 363-2821
Toll Free: 800-334-1529 info@auger-fab.com
WWW.AUGER-FAB.COM



LIP DETAIL



AUGER
FABRICATION™