

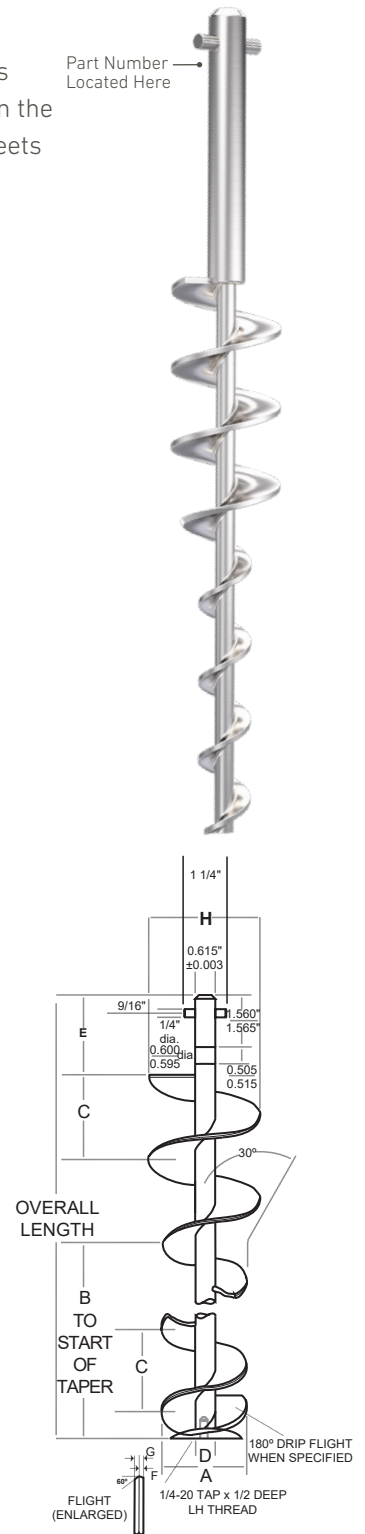
MATEER-BURT "NEOTRON" SELF-FEEDING AUGERS

These augers are specifically offered as replacements or spares with NEOTRON SYSTEM auger fillers manufactured by Mateer-Burt. Dimensions and specifications of the most common sizes are listed on the adjacent chart. If dimensions do not match your auger, list all relevant size data (A-H) on the worksheets at the end of this catalog. For Model 31A fillers from Mateer-Burt, refer to Forms 651-1 & 651-2.

Part Number Located Here

Size	Dimensions							Print Number		
	A	B	C	D	E	F	G	H	13 1/8 O.A.L	20 7/8 O.A.L
6	0.350	10.937	1	3/16	4 3/8	1/32	3/32	1 1/2	C-3971	C-3281
8	0.470	11.065	1	7/32	4 3/8	1/32	3/32	1 1/2	C-3971	C-3281
10	0.595	11.187	1	1/4	4 3/8	1/32	3/32	1 1/2	C-3971	C-3281
12	0.720	11.250	1	1/4	4 3/8	1/32	3/32	1 1/2	C-3971	C-3281
14	0.845	11.437	1 1/4	5/16	4 3/8	1/32	3/32	2 3/8	C-3971	C-3281
16	0.970	11.562	1 1/4	5/16	4 3/8	1/32	3/32	2 3/8	C-3971	C-3281
18	1.095	11.687	1 1/4	5/16	4 3/8	1/32	3/32	2 3/8	C-3971	C-3281
20	1.220	11.832	1 1/2	5/16	4 3/8	1/32	3/32	2 3/8	C-3971	C-3281
22	1.345	11.937	1 1/2	3/8	4 3/8	1/32	3/32	2 3/8	C-3971	C-3281
24	1.470	12.062	2	3/8	4 3/8	1/16	1/8	2 3/8	C-3971	C-3281
26	1.595	12.187	2	3/8	4 3/8	1/16	1/8	2 3/8	C-3971	C-3972
28	1.720	12.312	2	1/2	4 3/8	1/16	1/8	2 5/8	C-3971	C-3972
30	1.845	12.437	2	1/2	4 3/8	1/16	1/8	2 5/8	C-3971	C-3972
32	1.970	12.562	2	1/2	4 3/8	1/16	1/8	2 5/8	C-3971	C-3972
34	2.115	12.620	2 1/2	5/8	2 3/8	1/16	1/8	3 1/4	C-3282	C-3283
36	2.220	12.75	2 1/2	5/8	2 3/8	1/16	1/8	3 1/4	C-3282	C-3283
38	2.345	12.84	2 1/2	5/8	2 3/8	1/16	1/8	3 1/4	C-3282	C-3283
40	2.470	12.94	2 1/2	5/8	2 3/8	1/16	1/8	3 1/4	C-3282	C-3283
42	2.595	13.05	3 1/2	5/8	2 3/8	1/16	1/8	4	C-3282	C-3283
44	2.720	13.19	3 1/2	5/8	2 3/8	1/16	1/8	4	C-3282	C-3283
48	2.970	13.37	3 1/2	5/8	2 3/8	1/16	1/8	4	C-3282	C-3283
50	3.095	13.47	3 1/2	5/8	2 3/8	1/16	1/8	4	C-3282	C-3283
52	3.220	13.56	3 1/2	5/8	2 3/8	1/16	1/8	4	C-3282	C-3283

NEOTRON SYSTEM is a trademark of Mateer-Burt



4102 Edges Mill Road, Downingtown, PA 19335 USA
 Phone (610) 524-3350 Fax (610) 363-2821
 Toll Free: 800-334-1529 info@auger-fab.com
WWW.AUGER-FAB.COM

