

MATEER-BURT "NEOTRON" STRAIGHT AUGERS

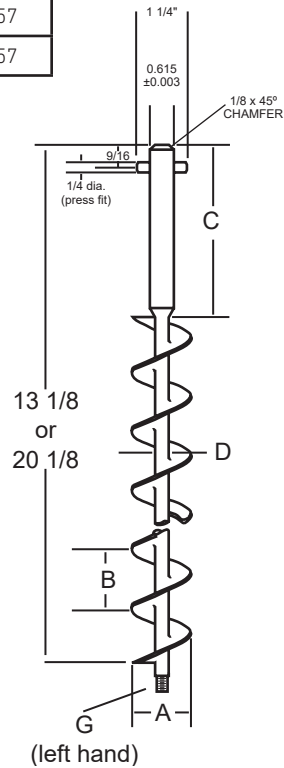
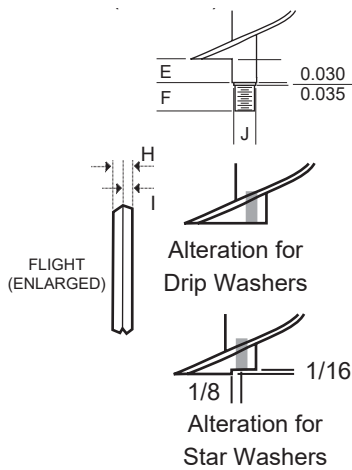
These augers are specifically offered as replacements or spares with NEOTRON SYSTEM auger fillers manufactured by Mateer-Burt. Dimensions and specifications of the most common sizes are listed below. If dimensions do not match your auger, list all relevant size data (A-J) on the worksheets at the end of this catalog. Unless otherwise specified, all Neotron augers are stainless steel, welded, and polished to a mirror finish. For Model 31A fillers from Mateer-Burt, refer to Forms 651-1 & 651-2.

| Auger | Dimensions | | | | | | | | | |
|-------|------------|-------|-------|------|------|------|--------|------|------|-------|
| | A | B | C | D | E | F | G | H | I | J |
| 6 | 0.350 | 1/2 | 6 5/8 | 3/16 | 3/16 | 5/16 | 6-32 | 3/32 | 1/32 | 0.140 |
| 8 | 0.470 | 1/2 | 6 5/8 | 3/16 | 3/16 | 5/16 | 6-32 | 3/32 | 1/32 | 0.140 |
| 10 | 0.595 | 5/8 | 6 5/8 | 7/32 | 3/16 | 5/16 | 10-32 | 3/32 | 1/32 | 0.140 |
| 12 | 0.720 | 1 | 4 3/8 | 1/4 | 3/16 | 5/16 | 10-32 | 3/32 | 1/32 | 0.191 |
| 14 | 0.845 | 1 1/4 | 4 3/8 | 5/16 | 3/8 | 5/8 | 10-32 | 3/32 | 1/32 | 0.257 |
| 16 | 0.970 | 1 1/4 | 4 3/8 | 5/16 | 3/8 | 5/8 | 1/4-20 | 3/32 | 1/32 | 0.257 |
| 18 | 1.095 | 1 1/2 | 4 3/8 | 5/16 | 3/8 | 5/8 | 1/4-20 | 3/32 | 1/32 | 0.257 |
| 22 | 1.345 | 1 1/2 | 4 3/8 | 3/8 | 3/8 | 5/8 | 1/4-20 | 3/32 | 1/16 | 0.257 |
| 24 | 1.470 | 2 | 4 3/8 | 3/8 | 3/8 | 5/8 | 1/4-20 | 1/8 | 1/16 | 0.257 |
| 26 | 1.595 | 2 | 4 3/8 | 3/8 | 1/2 | 5/8 | 1/4-20 | 1/8 | 1/16 | 0.257 |
| 28 | 1.720 | 2 | 4 3/8 | 1/2 | 1/2 | 5/8 | 1/4-20 | 1/8 | 1/16 | 0.257 |
| 30 | 1.845 | 2 | 4 3/8 | 1/2 | 1/2 | 5/8 | 1/4-20 | 1/8 | 1/16 | 0.257 |
| 32 | 1.970 | 2 | 4 3/8 | 1/2 | 1/2 | 5/8 | 1/4-20 | 1/8 | 1/16 | 0.257 |

Part Number Located Here



NEOTRON SYSTEM is a trademark of Mateer-Burt



4102 Edges Mill Road, Downingtown, PA 19335 USA
 Phone (610) 524-3350 Fax (610) 363-2821
 Toll Free: 800-334-1529 info@auger-fab.com
WWW.AUGER-FAB.COM

