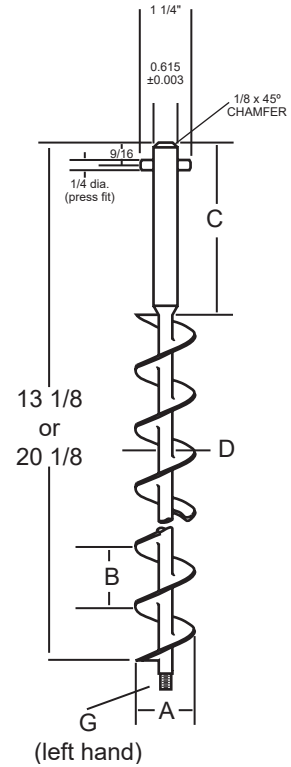


MATEER-BURT "NEOTRON" STRAIGHT AUGERS

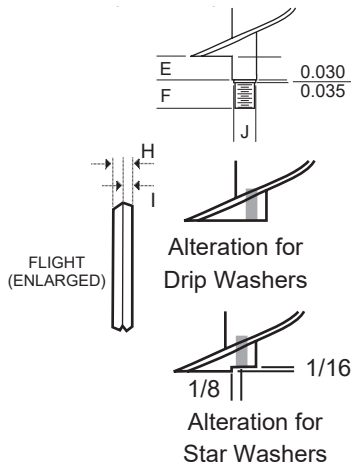
These augers are specifically offered as replacements or spares with NEOTRON SYSTEM auger fillers manufactured by Mateer-Burt. Dimensions and specifications of the most common sizes are listed below. If dimensions do not match your auger, list all relevant size data (A-J) on the worksheets at the end of this catalog. Unless otherwise specified, all Neotron augers are stainless steel, welded, and polished to a mirror finish. For Model 31A fillers from Mateer-Burt, refer to Forms 651-1 & 651-2.

Auger	Dimensions									
	A	B	C	D	E	F	G	H	I	J
6	0.350	1/2	6 5/8	3/16	3/16	5/16	6-32	3/32	1/32	0.140
8	0.470	1/2	6 5/8	3/16	3/16	5/16	6-32	3/32	1/32	0.140
10	0.595	5/8	6 5/8	7/32	3/16	5/16	10-32	3/32	1/32	0.140
12	0.720	1	4 3/8	1/4	3/16	5/16	10-32	3/32	1/32	0.191
14	0.845	1 1/4	4 3/8	5/16	3/8	5/8	10-32	3/32	1/32	0.257
16	0.970	1 1/4	4 3/8	5/16	3/8	5/8	1/4-20	3/32	1/32	0.257
18	1.095	1 1/2	4 3/8	5/16	3/8	5/8	1/4-20	3/32	1/32	0.257
22	1.345	1 1/2	4 3/8	3/8	3/8	5/8	1/4-20	3/32	1/16	0.257
24	1.470	2	4 3/8	3/8	3/8	5/8	1/4-20	1/8	1/16	0.257
26	1.595	2	4 3/8	3/8	1/2	5/8	1/4-20	1/8	1/16	0.257
28	1.720	2	4 3/8	1/2	1/2	5/8	1/4-20	1/8	1/16	0.257
30	1.845	2	4 3/8	1/2	1/2	5/8	1/4-20	1/8	1/16	0.257
32	1.970	2	4 3/8	1/2	1/2	5/8	1/4-20	1/8	1/16	0.257

Part Number Located Here



NEOTRON SYSTEM is a trademark of Mateer-Burt



4102 Edges Mill Road, Downingtown, PA 19335 USA
 Phone (610) 524-3350 Fax (610) 363-2821
 Toll Free: 800-334-1529 info@augerfab.com
WWW.AUGERFAB.COM

