

PER-FIL STRAIGHT & LIP FUNNELS

AUGER FABRICATION also supplies direct replacement straight & lip funnels for augers and filling equipment of Per-Fil Industries, Inc. Use the above chart to specify matching Per-Fil funnels.

DIMENSION & ORDERING INFORMATION:

STRAIGHT

LIP

A: _____

A: _____

B: _____

B: _____

C: _____

C: _____

D: _____

D: _____

E: _____

E: _____

F: _____

F: _____

G: _____

G: _____

H: _____

H: _____

I: _____

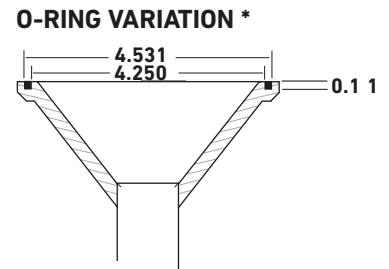
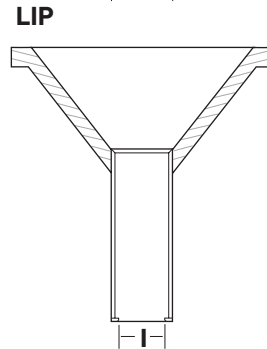
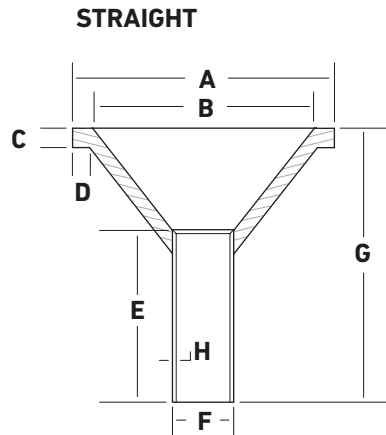
MATERIAL:

303 SS

304 SS

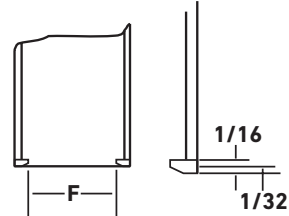
316 SS

Other



* Includes O-Ring #568-244
(4.50 OD x 4.25 ID x 1/8)

LIP DETAIL



4102 Edges Mill Road, Downingtown, PA 19335 USA
 Phone (610) 524-3350 Fax (610) 363-2821
 Toll Free: 800-334-1529 info@augerfab.com
WWW.AUGERFAB.COM

